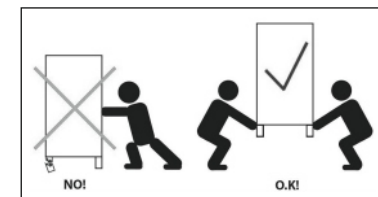
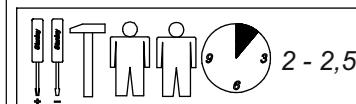
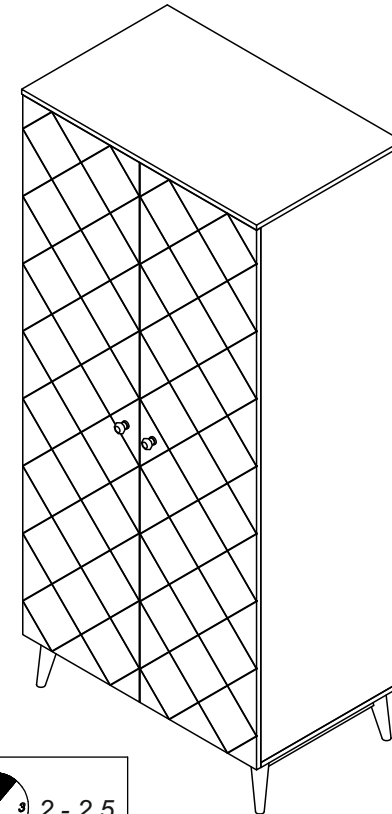


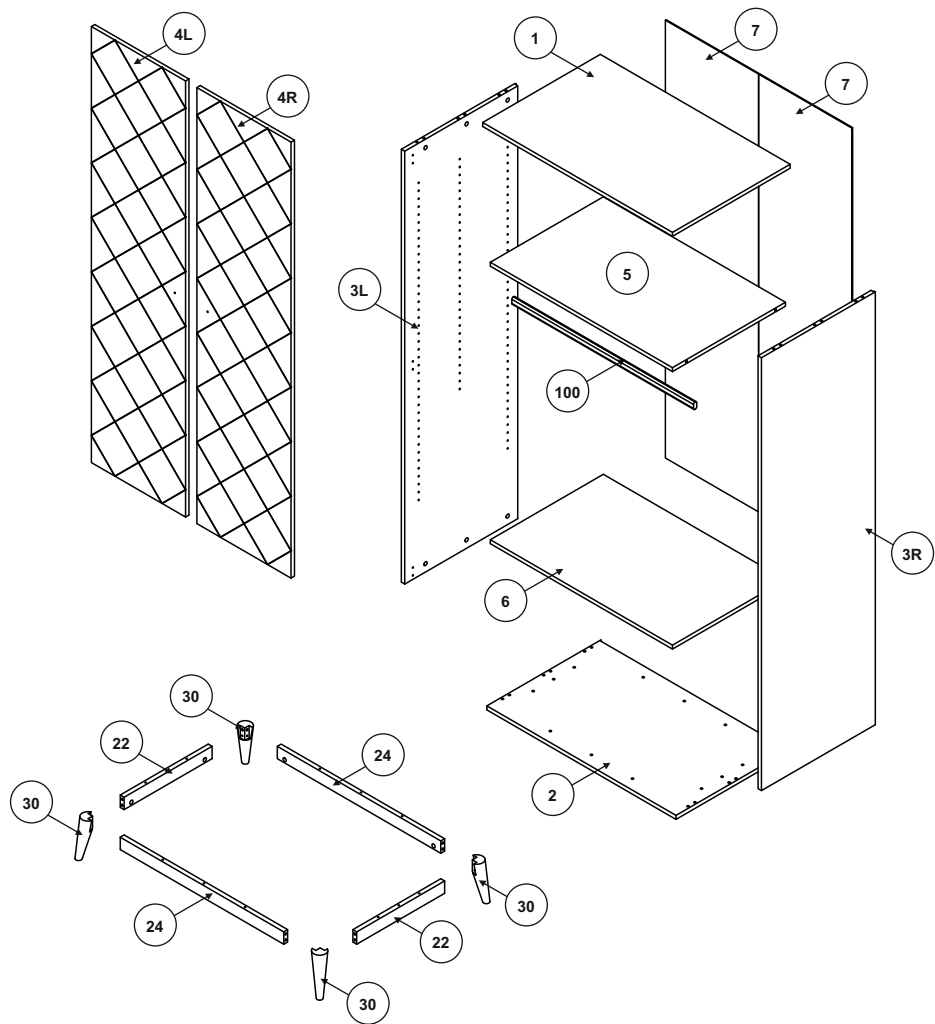
Instruction Manual

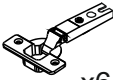



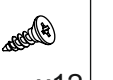



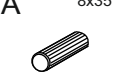



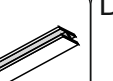
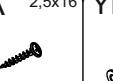
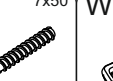




**PARIS**  
WARDROBE  
11619351



DISTRIBUTOR:  
**BOPITA**  
*Energieweg 1, 6662 NS Elst*  
*The Netherlands*  
[www.bopita.com](http://www.bopita.com)

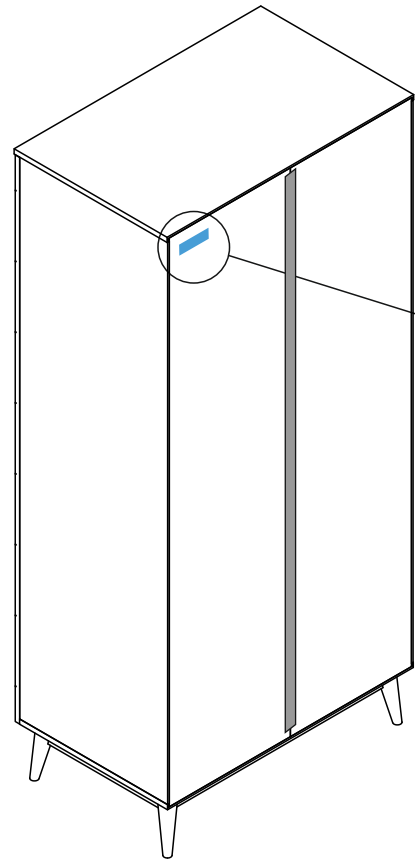
22.12.2020.



Y  x6	Z  x6	K  x2	R 5mm  x4	J 3.5x15  x12	N  x2	JB 3x13  x2	T  x2
A 8x35  x20	B  x12	C 15x10  x20	H 4x25  x2	I  x1	DA 2.5x16  x38	YB 7x50  x12	WC 4mm  x1
FA  x4	FB  x4	BA  x8	<b>2</b>				

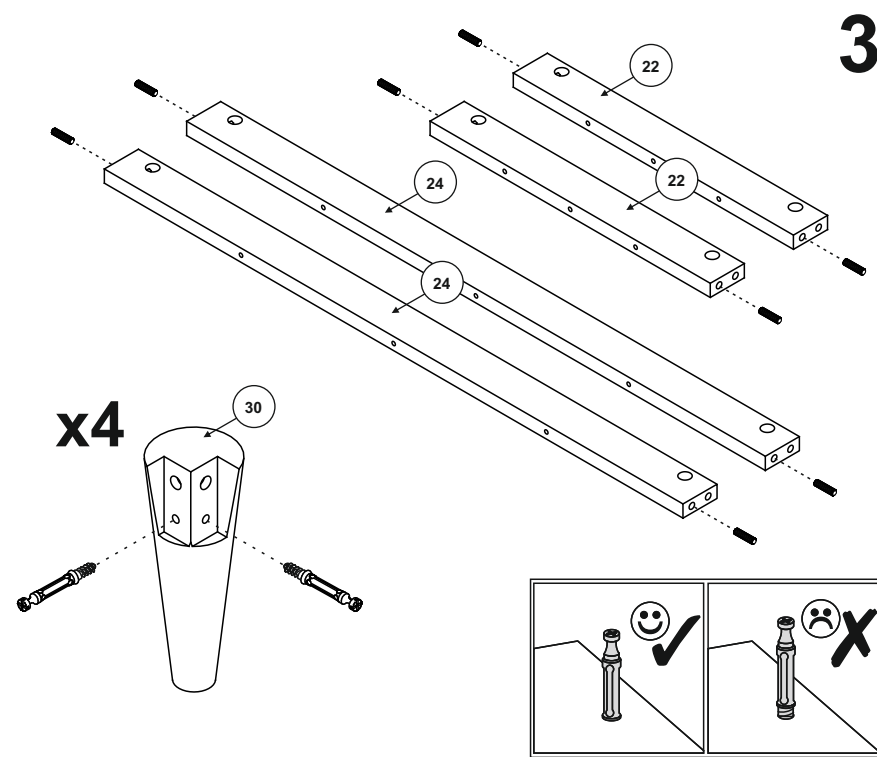
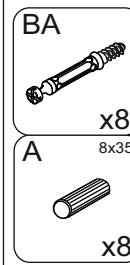
# QC-CODE

- (UK) for service requests
- (NL) voor service vragen
- (FR) pour les demandes de service
- (DE) für Service Anfragen
- (ES) para consultas de servicio
- (IT) per richieste di assistenza

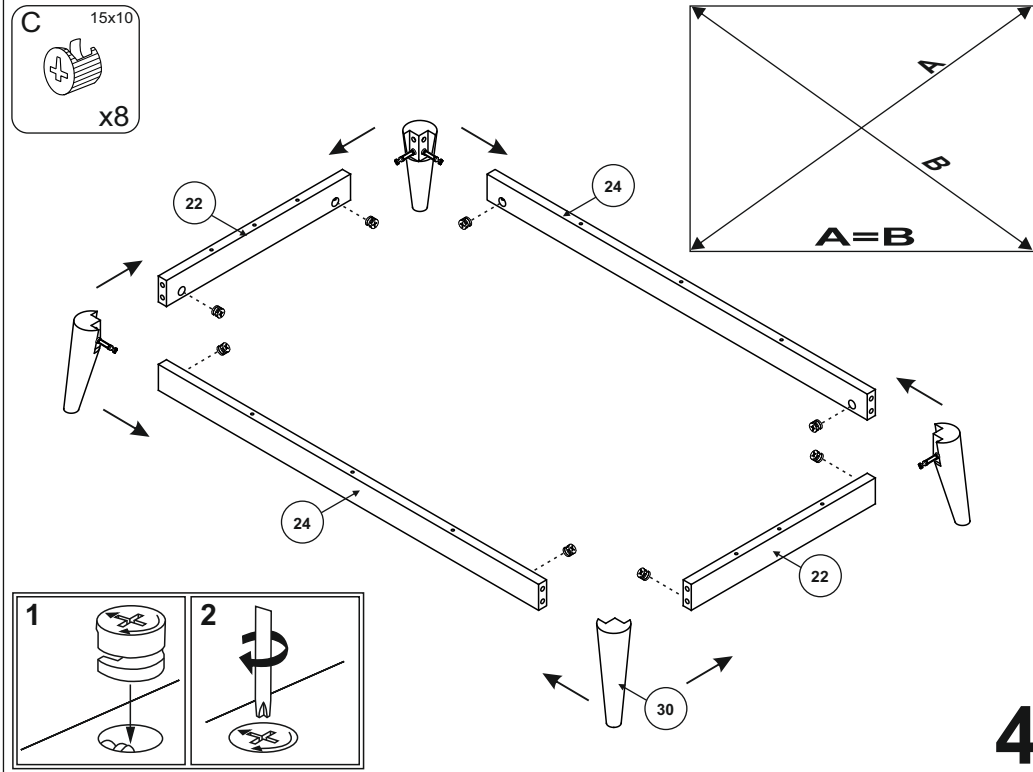
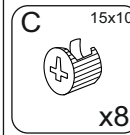


QC-CODE

13

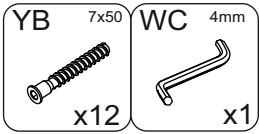
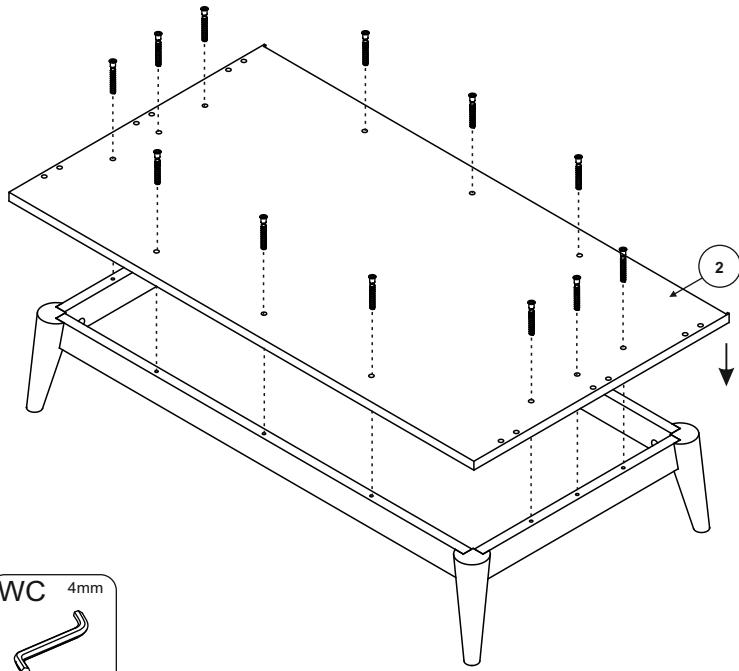


3

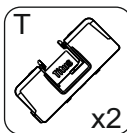
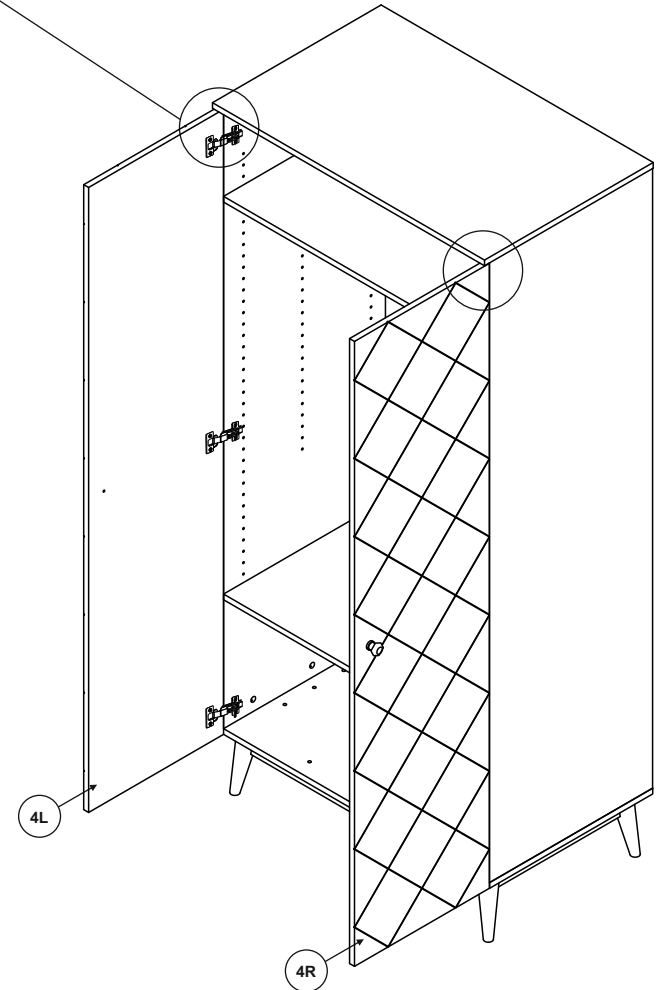
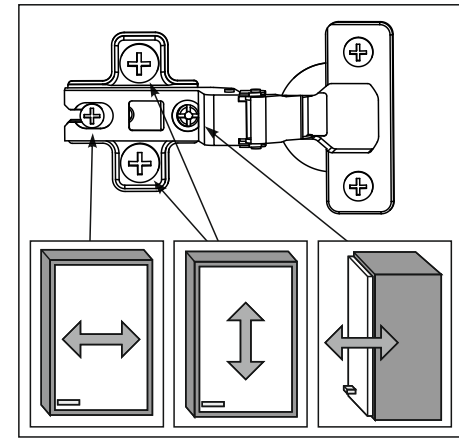
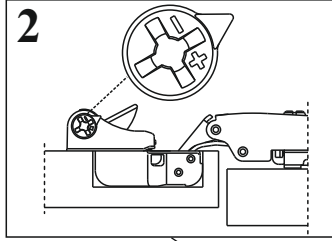
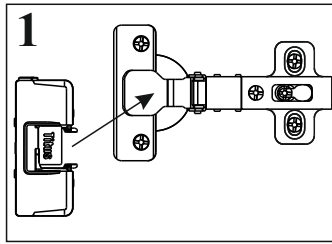
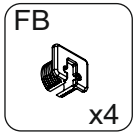
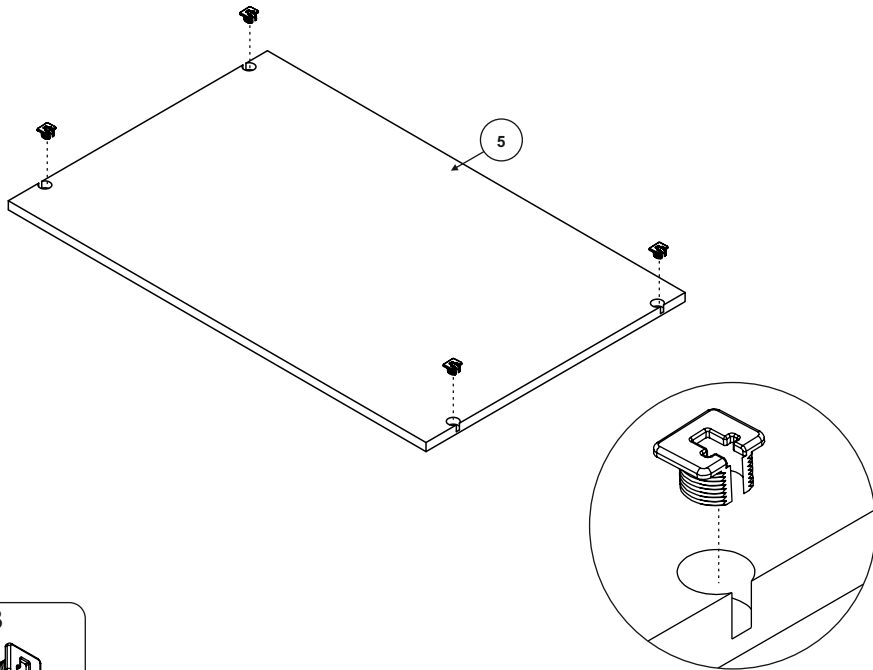


4

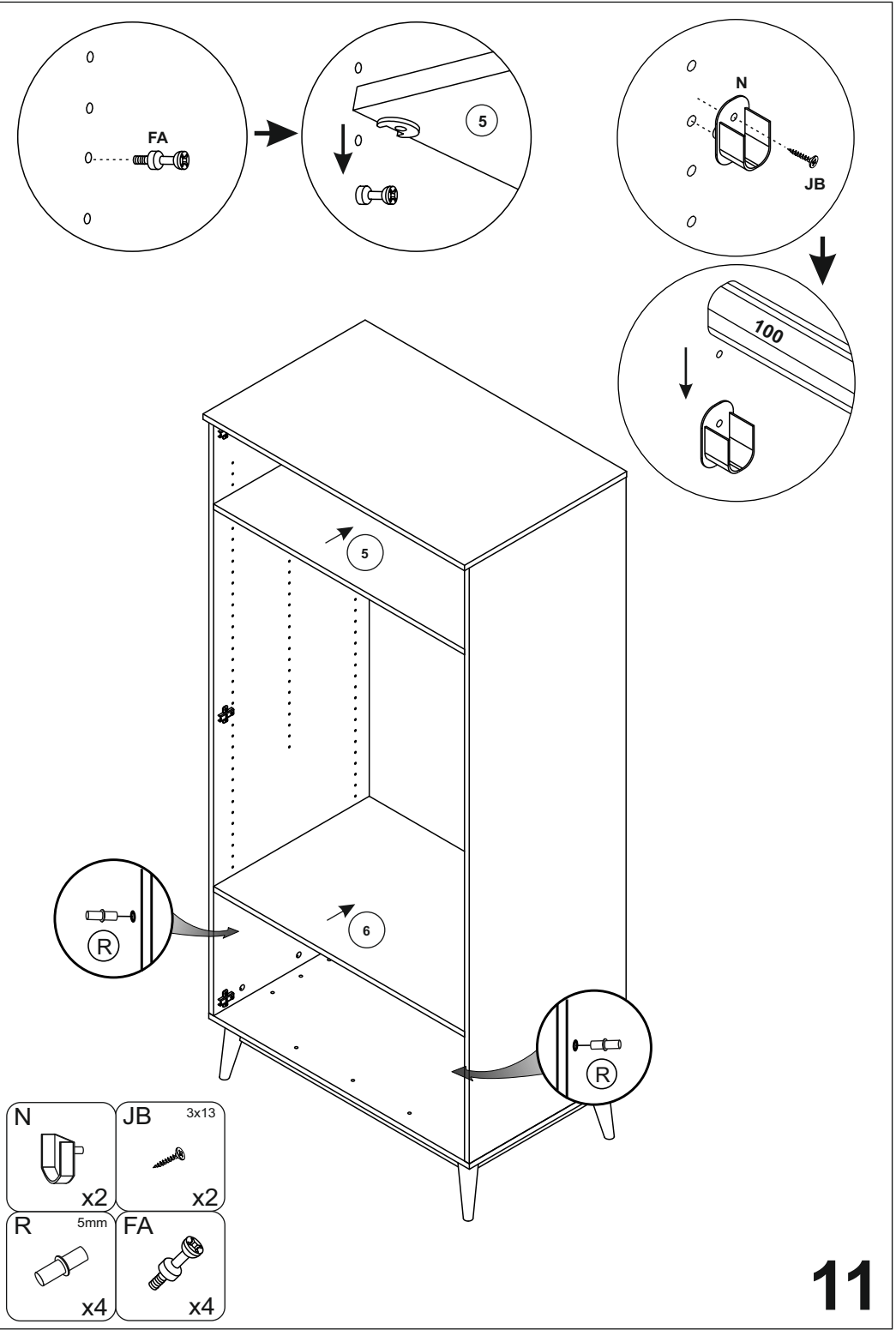
5



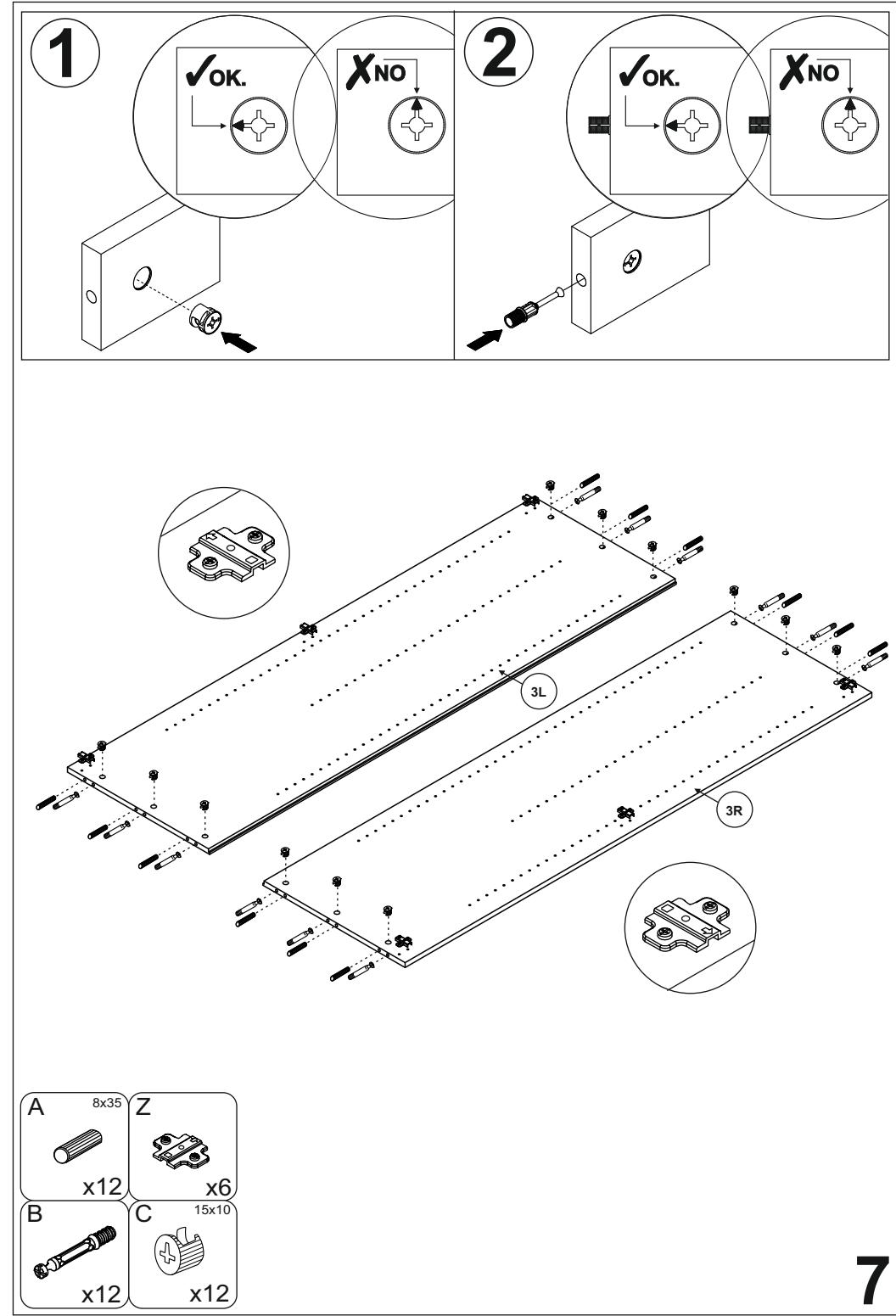
6



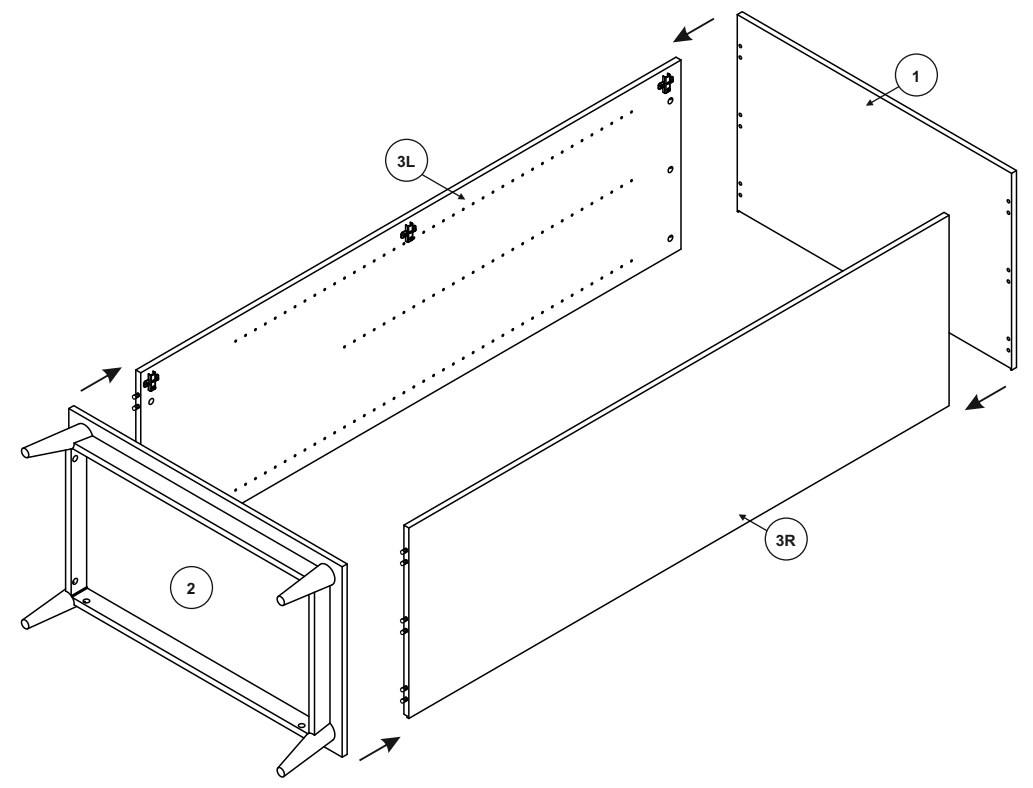
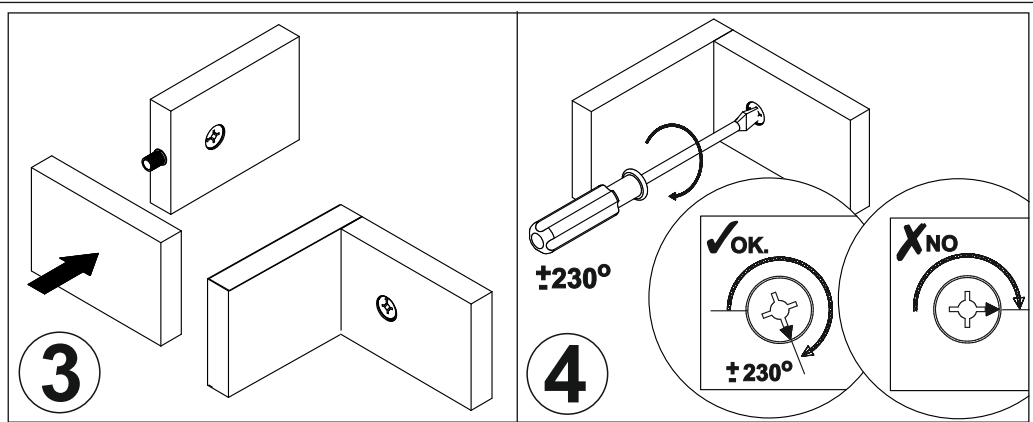
12



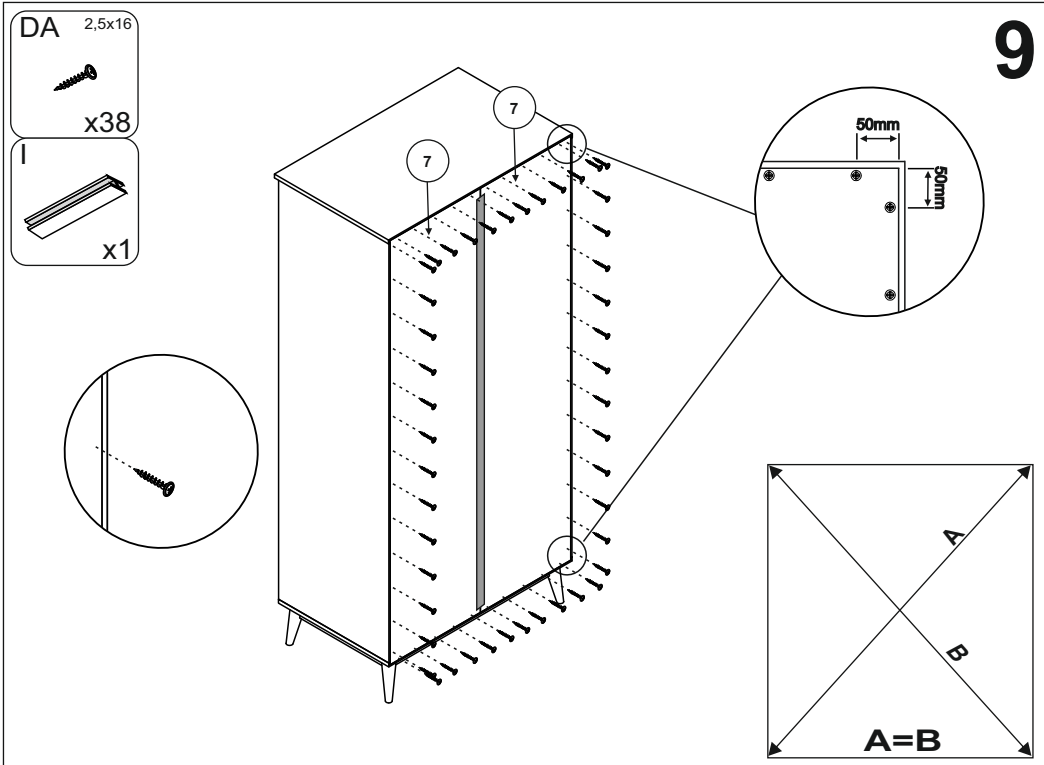
11



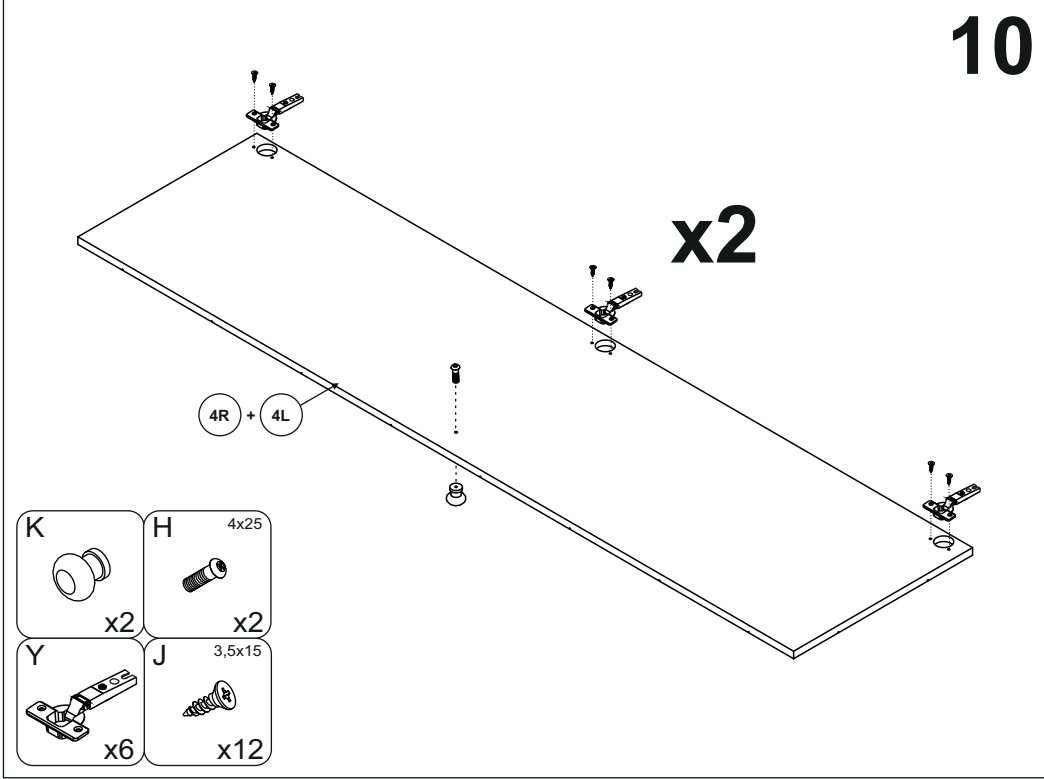
7



**8**



**9**



**10**